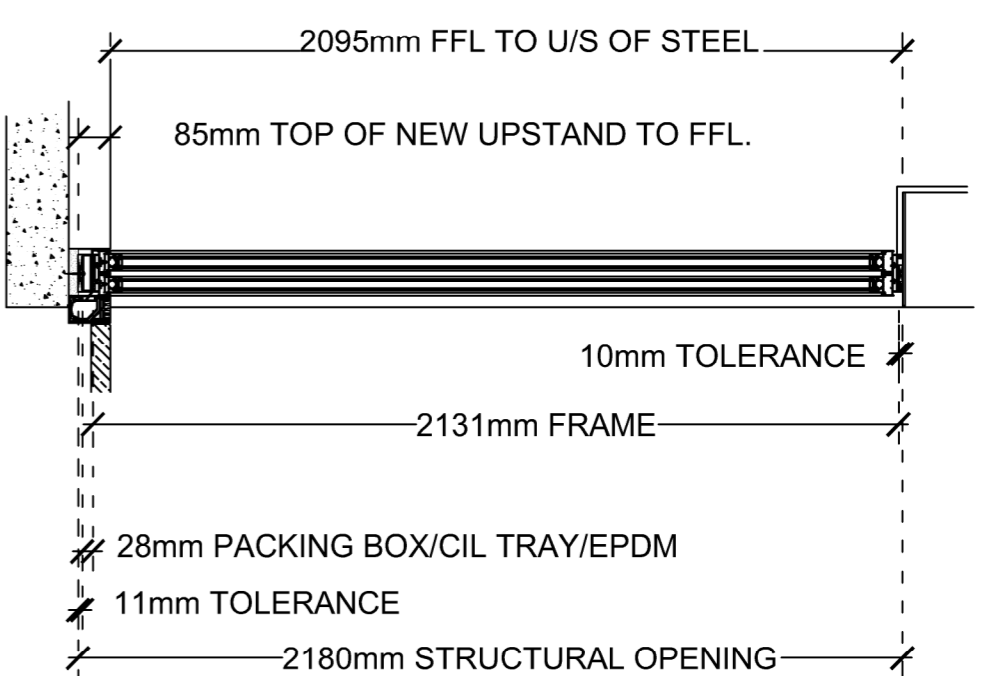
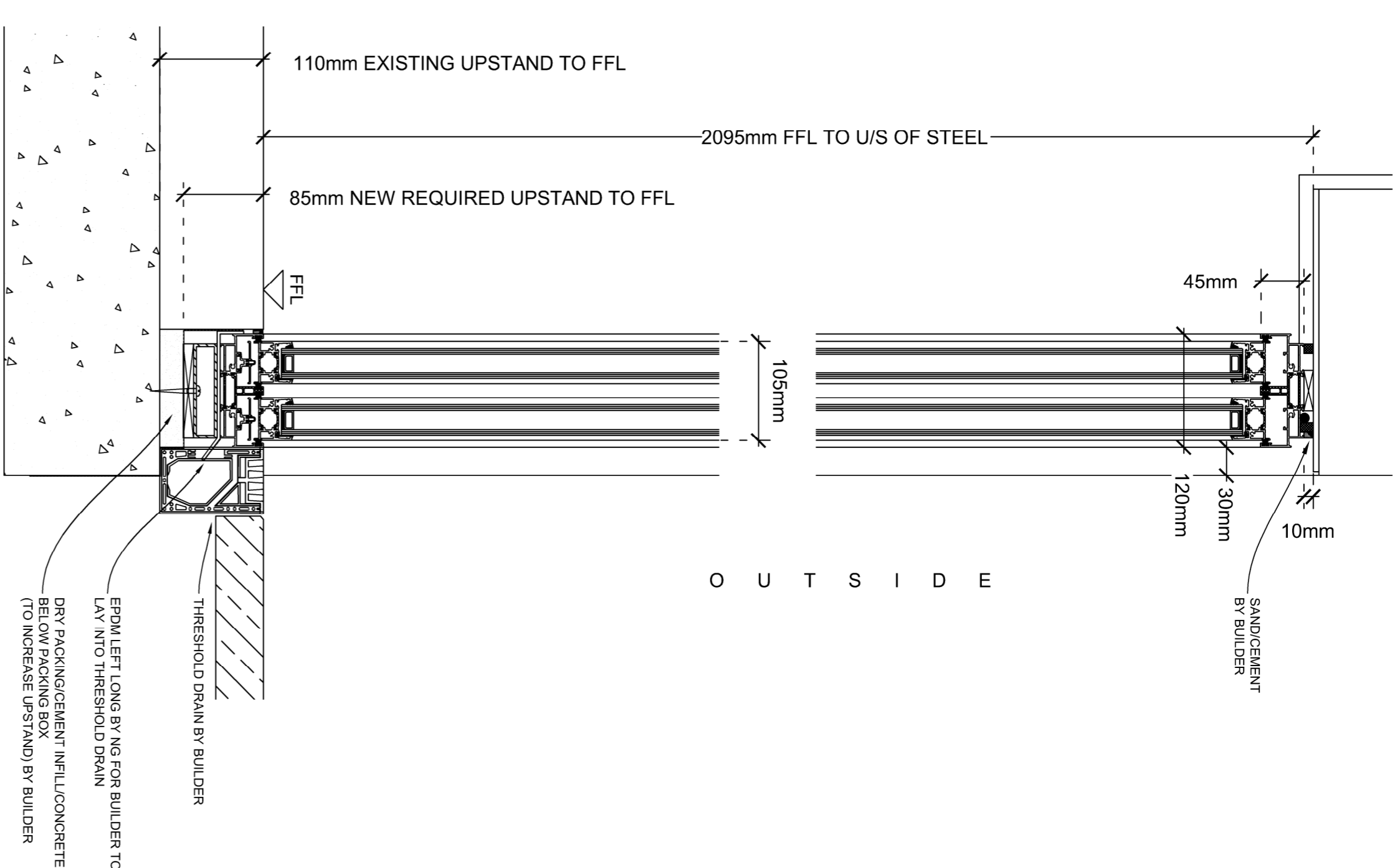


EXTERNAL ELEVATION OF SLIDE DOORS
1:20 @ A1

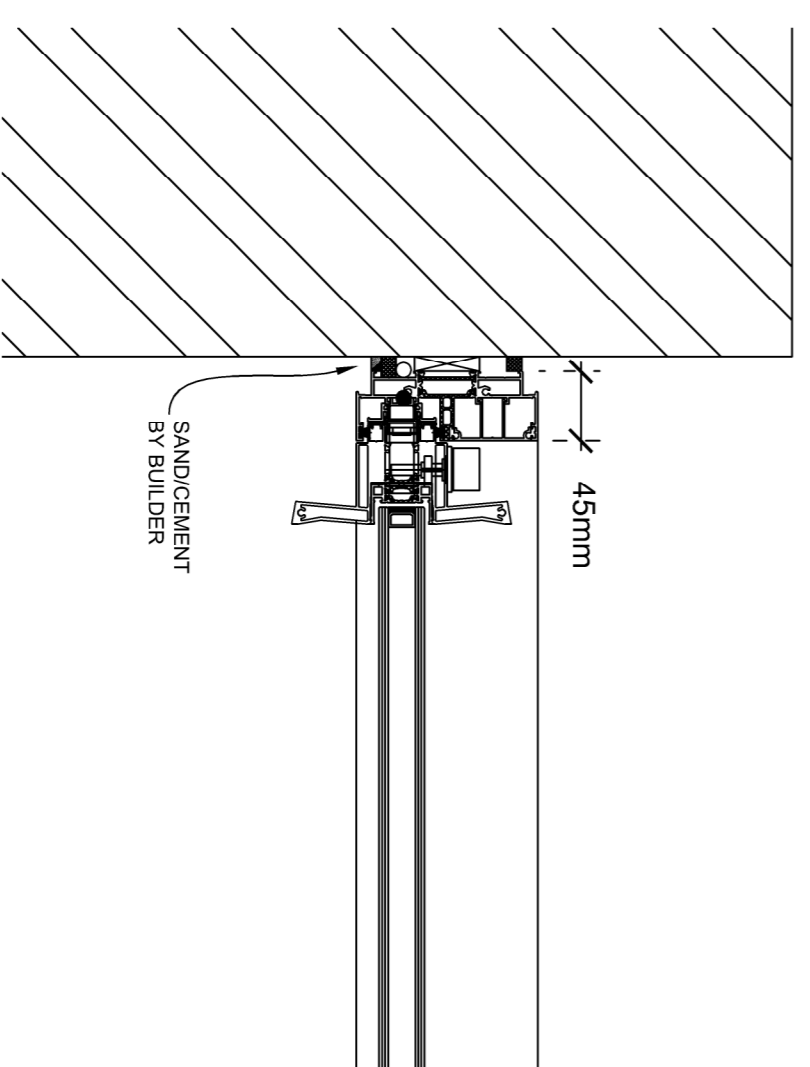


SECTION THROUGH SLIDE DOORS
1:20 @ A1

I N S I D E

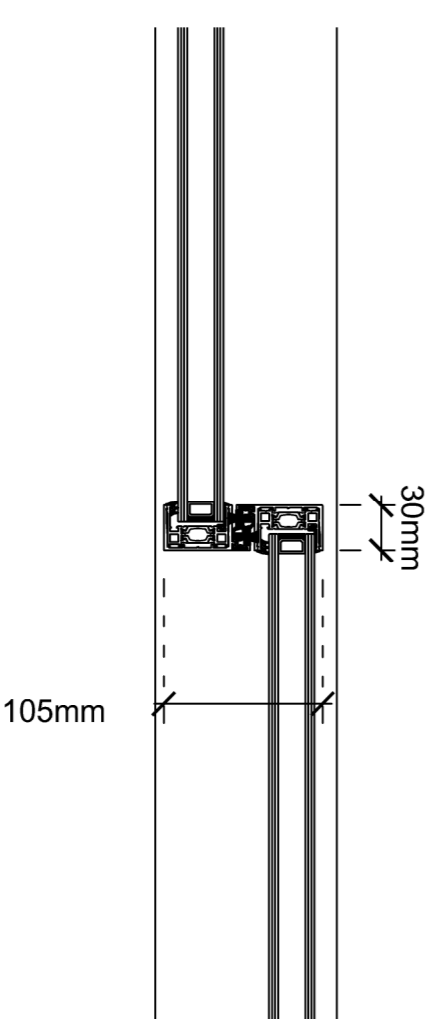


O U T S I D E

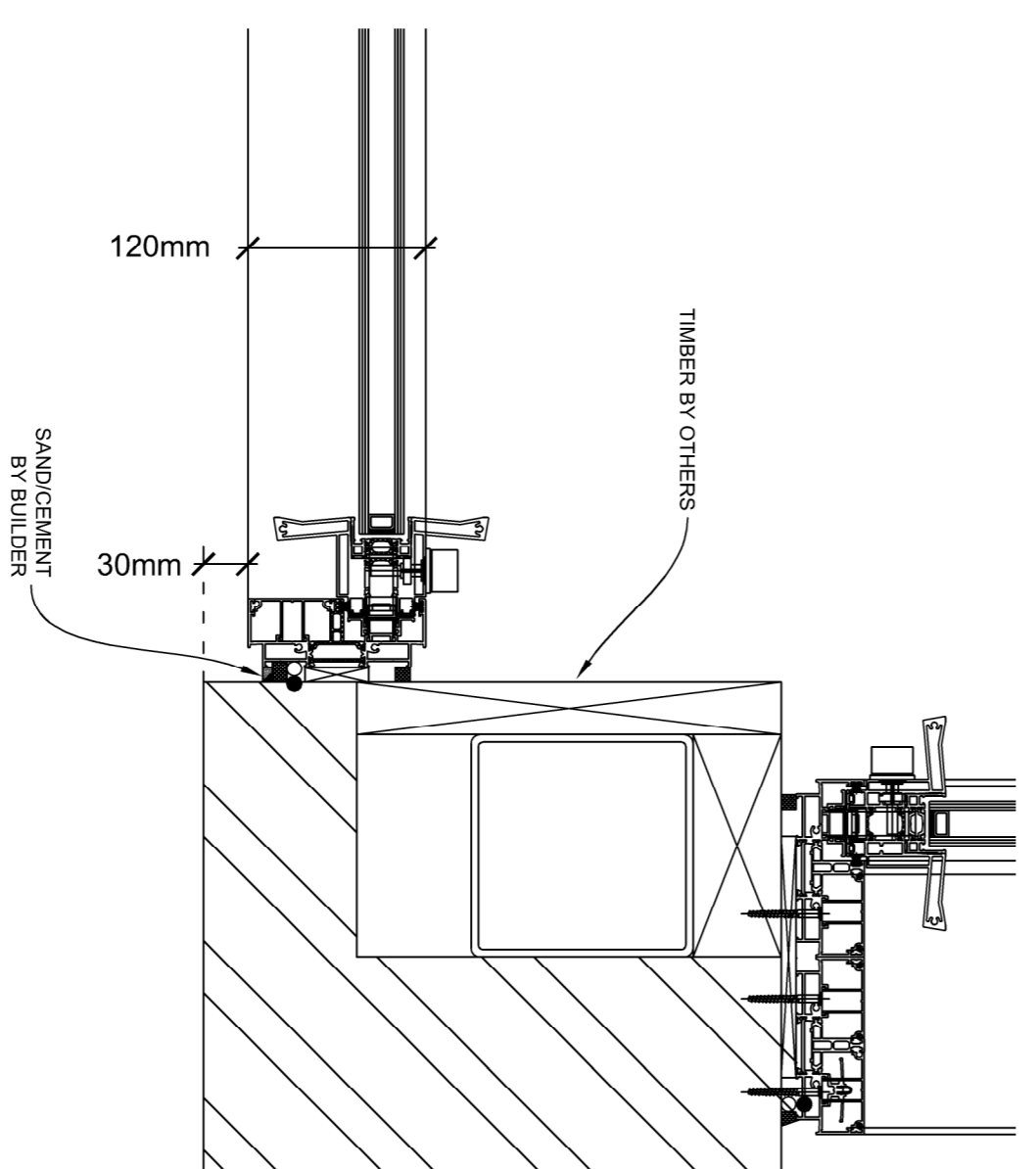


PLAN VIEW OF SLIDE DOORS
1:20 @ A1

O U T S I D E



I N S I D E



SPECIFICATION

MATERIAL	FUSION VISIONE MINIMAL (30mm)
FINISH	POLYESTER POWDER COATED RAL 7015 MATT INTERPON D
GLASS	6mm CLEAR TOUGHENED EXT 16mm WARM EDGE SPACER BLACK 6mm CLEAR TOUGHENED LOW-E INT

GLAZING
BLACK GASKET

FIXING
BY NORTHOLT GLASS

FOUNTING
SILICONE

GEARING

FITTINGS

RUNNING GEAR

SYSTEM RELATED HIGH SECURITY
MULTIPOINT LOCKING MECHANISM WITH
KEY LOCK TO INSIDE ONLY.
STAINLESS STEEL THUMB TURN
OPERATED FROM THE INSIDE ONLY.
FRAME CAN BE MADE UP.

APPROVED FOR PRODUCTION
05.07.19

C	
B	
A	
AMENDMENTS	
SITE ROMERS PARK CORNER DRIVE EAST MORSLEY KT24 6SE	
ARCHITECT	
CONTRACTOR	
TITLE 2 PANE SLIDING DOOR SET	

DRAWN	DATE	SCALE
TRC	11.06.19	1:20 @ A1

NG ARCHITECTURAL
GLASS & ALUMINIUM SYSTEMS
UNIT 29 GLEN TERN BUSINESS VILLAGE, ARBONDEL ROAD
LIVERPOOL, MERseyside, L15 2SN
E-mail: info@northoltglass.co.uk FAX: 01895 238471
TEL: 01895 206650